

One touch
ahead



10,4"

Specifications IRT10i4-V4.1



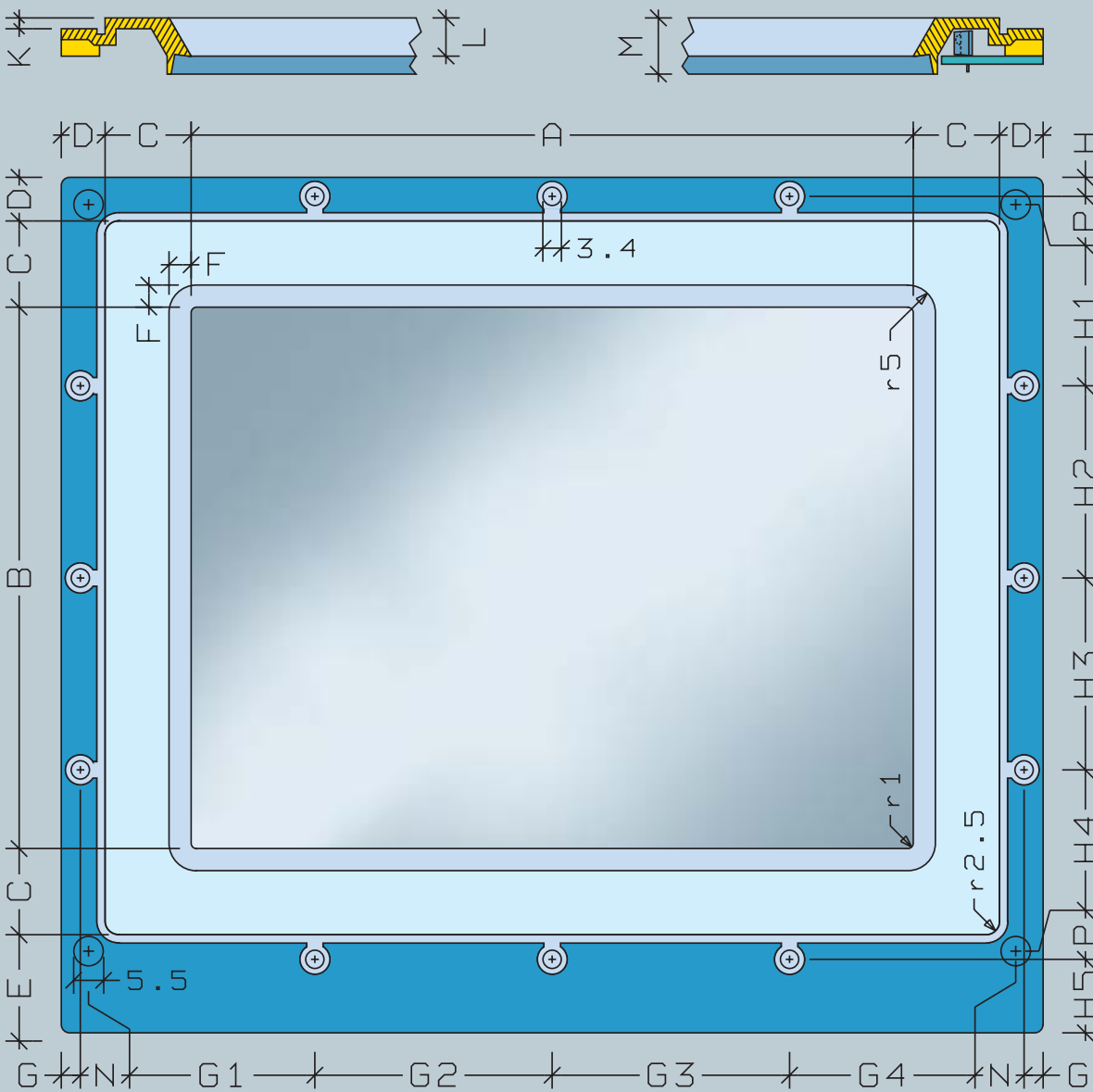
Electrical Specs	Voltage	+5,0V (±5%)
	Current (typical operating)	204mArms
	Current (worst case)	250mArms
Communication Specs	Communication	Bi-directional, asynchronous, EIA-232-D and TTL
	Baud Rate, Parity	2400 to 38 400 bps Automatic baud rate and parity detection
	Protocol	XON/XOFF
Operational Specs	Active Touch Area	208,3 x 157,5 mm
	Touchpoint Density	16 tps/cm ² 64 tps/cm ² interpolated
	Response time	19 - 24 ms
	Touch points	Simultaneous tracking of two touchpoints
	Stylus Diameter	≥6mm, >8mm for interpolation
	Touch Modes	Up to 1009 rectangular areas with individual touch modes: enter, exit, tracking, continuous, Z-Press. Up to 256 area pages
	Software Drivers	MS-DOS, Windows 3.11, Windows 95/98, Windows NT 4.0, OS/2 (on request)
	Diagnostics	Complete system test at power-on, cyclic beam test during operation
Environmental Specs	Operating Temperature	0°C to +50°C
	Storage Temperature	-20°C to +85°C
	Humidity	90% RH @ 70°C, non-condensing
	Altitude	tbd
	Shock (MIL-STD-810E)	tbd
	Vibration (MIL-STD-810E)	tbd
	Sealing (EN 60529)	>IP65
	Peak Output Wavelength	950 nm, infrared
	Ambient light	Unaffected
	Transmissivity	Up to 100 %, depending on filter screen
	MTBF (MIL-HDBK-217F, @ 25°C)	>500.000 h
	EMI	EN 50 081-1,2 EN 55 022, Class B
	ESD	EN 50082-1,2
Mechanical Specs	Total size Controller & Bezel	W 262,8 x H 220,0 x D 10,3 mm
	Maximum component height	2,5 mm
	Maximum IR-Element height	5,5 mm
	Weight Controller	88 g
	Weight Bezel (no filter screen)	82 g
	Bezel material	PMMA (acrylic glass)
	Connectors	X1: 15-pin, Hirose DF13-15P-1.25DS X2: 10-pin, Hirose DF13-10P-1.25DS
Peripherals	1 opto-isolated PWM output for backlight dimming 1 opto-isolated output for touch saver indication or GP use 1 opto-isolated input for touchpoint validation or GP use	
Options	Z-axis	256 Levels
	Audio amplifier (key click)	0,5 W @ 8 Ohm

Connector Pinout:

X1/			X2/		
1	+5V	6	RxD_TTL	11	OC_PWM
2	+5V	7	TxD_TTL	12	+Uh
3	GND	8	RxD_RS232	13	/OC_SSAVE
4	GND	9	TxD_RS232	14	GP_IN+
5	GND	10	COM_EMIT	15	GP_IN-
				1	n.c.
				6	LOUDSP1
				2	n.c.
				7	n.c.
				3	n.c.
				8	/BURN-IN
				4	n.c.
				9	/RESEXT
				5	LOUDSP2
				10	GND

Touch Bezel Specifications

Material	Polymethmetacrylat (PMMA) Plexiglas	Scratch hardness Hr (acc. to Martens)	0,025N
Rockwell hardness (ASTM D 785-62)	M93 (Scale R)	Dielectric strength	30kV/mm
Chemical Resistance	Data upon request	Optical transmission factor (DIN 5036, @3mm, 380-780nm)	92%



A	B	C	D	E	F	K	L	M	N	P
214.8	162.0	15.8	8.2	18.2	4.0	2.0	7.0	10.3	1.5	1.5
G	G1	G2	G3	G4	H	H1	H2	H3	H4	H5
3.5	76.4	50.0	50.0	76.4	3.5	50.0	50.0	50.0	50.0	13.5

all dimensions in mm