

One touch
ahead



12,1"

Specifications
IRT12i1-V2.2



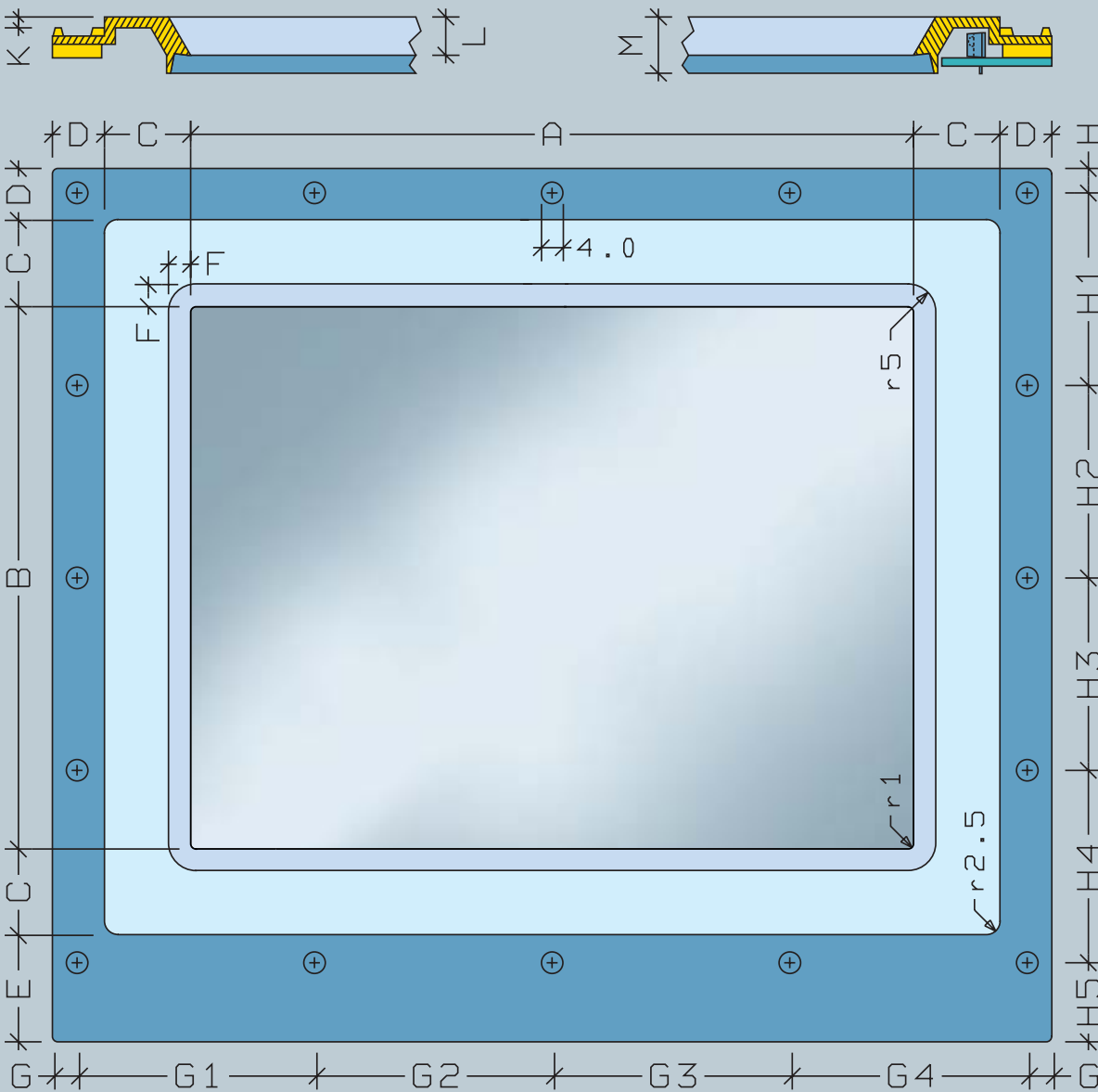
Electrical Specs	<table border="0"> <tr> <td>Voltage</td> <td>+5,0V (±5%)</td> </tr> <tr> <td>Current (dozing)</td> <td>234mArms</td> </tr> <tr> <td>Current (typical operating)</td> <td>356mArms</td> </tr> <tr> <td>Current (worst case)</td> <td>396mArms</td> </tr> </table>	Voltage	+5,0V (±5%)	Current (dozing)	234mArms	Current (typical operating)	356mArms	Current (worst case)	396mArms																		
Voltage	+5,0V (±5%)																										
Current (dozing)	234mArms																										
Current (typical operating)	356mArms																										
Current (worst case)	396mArms																										
Communication Specs	<table border="0"> <tr> <td>Communication</td> <td>Bi-directional, asynchronous, EIA-232-D and TTL</td> </tr> <tr> <td>Baud Rate, Parity</td> <td>75 to 125 000 bps Automatic baud rate and parity detection</td> </tr> <tr> <td>Protocol</td> <td>XON/XOFF</td> </tr> </table>	Communication	Bi-directional, asynchronous, EIA-232-D and TTL	Baud Rate, Parity	75 to 125 000 bps Automatic baud rate and parity detection	Protocol	XON/XOFF																				
Communication	Bi-directional, asynchronous, EIA-232-D and TTL																										
Baud Rate, Parity	75 to 125 000 bps Automatic baud rate and parity detection																										
Protocol	XON/XOFF																										
Operational Specs	<table border="0"> <tr> <td>Active Touch Area</td> <td>243,8 x 182,9 mm</td> </tr> <tr> <td>Touchpoint Density</td> <td>16 tps/cm² 64 tps/cm² interpolated</td> </tr> <tr> <td>Response time</td> <td>2,5 - 6,5 ms</td> </tr> <tr> <td>Touch points</td> <td>Simultaneous tracking of two touchpoints</td> </tr> <tr> <td>Stylus Diameter</td> <td>≥6mm, >8mm for interpolation</td> </tr> <tr> <td>Touch Modes</td> <td>Up to 1141 polygonal areas with individual touch modes: enter, exit, tracking, continuous, Z-Press.</td> </tr> <tr> <td>Software Drivers</td> <td>Up to 256 area pages MS-DOS, Windows 3.11, Windows 95/98, Windows NT 4.0, OS/2, Linux</td> </tr> <tr> <td>Diagnostics</td> <td>Complete system test at power-on, cyclic beam test during operation</td> </tr> </table>	Active Touch Area	243,8 x 182,9 mm	Touchpoint Density	16 tps/cm ² 64 tps/cm ² interpolated	Response time	2,5 - 6,5 ms	Touch points	Simultaneous tracking of two touchpoints	Stylus Diameter	≥6mm, >8mm for interpolation	Touch Modes	Up to 1141 polygonal areas with individual touch modes: enter, exit, tracking, continuous, Z-Press.	Software Drivers	Up to 256 area pages MS-DOS, Windows 3.11, Windows 95/98, Windows NT 4.0, OS/2, Linux	Diagnostics	Complete system test at power-on, cyclic beam test during operation										
Active Touch Area	243,8 x 182,9 mm																										
Touchpoint Density	16 tps/cm ² 64 tps/cm ² interpolated																										
Response time	2,5 - 6,5 ms																										
Touch points	Simultaneous tracking of two touchpoints																										
Stylus Diameter	≥6mm, >8mm for interpolation																										
Touch Modes	Up to 1141 polygonal areas with individual touch modes: enter, exit, tracking, continuous, Z-Press.																										
Software Drivers	Up to 256 area pages MS-DOS, Windows 3.11, Windows 95/98, Windows NT 4.0, OS/2, Linux																										
Diagnostics	Complete system test at power-on, cyclic beam test during operation																										
Environmental Specs	<table border="0"> <tr> <td>Operating Temperature</td> <td>0°C to +70°C</td> </tr> <tr> <td>Storage Temperature</td> <td>-20°C to +85°C (optional)</td> </tr> <tr> <td>Humidity</td> <td>-20°C to +85°C</td> </tr> <tr> <td>Altitude</td> <td>90% RH @ 70°C, non-condensing</td> </tr> <tr> <td>Shock (MIL-STD-810E)</td> <td>tbd</td> </tr> <tr> <td>Vibration (MIL-STD-810E)</td> <td>tbd</td> </tr> <tr> <td>Sealing (EN 60529)</td> <td>tbd</td> </tr> <tr> <td>Peak Output Wavelength</td> <td>>IP65</td> </tr> <tr> <td>Ambient light</td> <td>950 nm, infrared</td> </tr> <tr> <td>Transmissivity</td> <td>Unaffected</td> </tr> <tr> <td>MTBF (MIL-HDBK-217F, @ 25°C)</td> <td>Up to 100 %, depending on filter screen</td> </tr> <tr> <td>EMI</td> <td>>500.000 h</td> </tr> <tr> <td>ESD</td> <td>EN 50 081-1,2 EN 55 022, Class B EN 50082-1,2</td> </tr> </table>	Operating Temperature	0°C to +70°C	Storage Temperature	-20°C to +85°C (optional)	Humidity	-20°C to +85°C	Altitude	90% RH @ 70°C, non-condensing	Shock (MIL-STD-810E)	tbd	Vibration (MIL-STD-810E)	tbd	Sealing (EN 60529)	tbd	Peak Output Wavelength	>IP65	Ambient light	950 nm, infrared	Transmissivity	Unaffected	MTBF (MIL-HDBK-217F, @ 25°C)	Up to 100 %, depending on filter screen	EMI	>500.000 h	ESD	EN 50 081-1,2 EN 55 022, Class B EN 50082-1,2
Operating Temperature	0°C to +70°C																										
Storage Temperature	-20°C to +85°C (optional)																										
Humidity	-20°C to +85°C																										
Altitude	90% RH @ 70°C, non-condensing																										
Shock (MIL-STD-810E)	tbd																										
Vibration (MIL-STD-810E)	tbd																										
Sealing (EN 60529)	tbd																										
Peak Output Wavelength	>IP65																										
Ambient light	950 nm, infrared																										
Transmissivity	Unaffected																										
MTBF (MIL-HDBK-217F, @ 25°C)	Up to 100 %, depending on filter screen																										
EMI	>500.000 h																										
ESD	EN 50 081-1,2 EN 55 022, Class B EN 50082-1,2																										
Mechanical Specs	<table border="0"> <tr> <td>Total size Controller & Bezel</td> <td>W 300,6 x H 249,0 x D 10,3 mm</td> </tr> <tr> <td>Maximum component height</td> <td>2,5 mm</td> </tr> <tr> <td>Maximum IR-Element height</td> <td>5,5 mm</td> </tr> <tr> <td>Weight Controller</td> <td>105 g</td> </tr> <tr> <td>Weight Bezel (no filter screen)</td> <td>93 g</td> </tr> <tr> <td>Bezel material</td> <td>PMMA (acrylic glass)</td> </tr> <tr> <td>Connectors</td> <td>X1: 20-pin, JAE, LZ-20P-SL-SMT X2: 5-pin, JAE, LZ-5P-SL-SMT</td> </tr> </table>	Total size Controller & Bezel	W 300,6 x H 249,0 x D 10,3 mm	Maximum component height	2,5 mm	Maximum IR-Element height	5,5 mm	Weight Controller	105 g	Weight Bezel (no filter screen)	93 g	Bezel material	PMMA (acrylic glass)	Connectors	X1: 20-pin, JAE, LZ-20P-SL-SMT X2: 5-pin, JAE, LZ-5P-SL-SMT												
Total size Controller & Bezel	W 300,6 x H 249,0 x D 10,3 mm																										
Maximum component height	2,5 mm																										
Maximum IR-Element height	5,5 mm																										
Weight Controller	105 g																										
Weight Bezel (no filter screen)	93 g																										
Bezel material	PMMA (acrylic glass)																										
Connectors	X1: 20-pin, JAE, LZ-20P-SL-SMT X2: 5-pin, JAE, LZ-5P-SL-SMT																										
Peripherals	<p>1 opto-isolated PWM output for backlight dimming 1 opto-isolated output for touch saver indication or GP use 1 opto-isolated input for touchpoint validation or GP use</p>																										
Options	<table border="0"> <tr> <td>USB-interface:</td> <td></td> </tr> <tr> <td>Voltage internal</td> <td>+3.3VDC</td> </tr> <tr> <td>Current (worst case)</td> <td>90mArms</td> </tr> <tr> <td>Device type</td> <td>Full speed, 12Mbit/s</td> </tr> <tr> <td>USB-Drivers</td> <td>Windows 95, OSR 2.1, Windows 98 / NT 5.0</td> </tr> <tr> <td>Z-axis</td> <td>64 Levels</td> </tr> <tr> <td>Audio amplifier (key click)</td> <td>0,5 W @ 8 Ohm</td> </tr> </table>	USB-interface:		Voltage internal	+3.3VDC	Current (worst case)	90mArms	Device type	Full speed, 12Mbit/s	USB-Drivers	Windows 95, OSR 2.1, Windows 98 / NT 5.0	Z-axis	64 Levels	Audio amplifier (key click)	0,5 W @ 8 Ohm												
USB-interface:																											
Voltage internal	+3.3VDC																										
Current (worst case)	90mArms																										
Device type	Full speed, 12Mbit/s																										
USB-Drivers	Windows 95, OSR 2.1, Windows 98 / NT 5.0																										
Z-axis	64 Levels																										
Audio amplifier (key click)	0,5 W @ 8 Ohm																										

Connector Pinout:

X1/					X2/				
1	+5V	6	RxD_TTL	11	OC_PWM	16	GND	1	USB_GND
2	+5V	7	TxD_TTL	12	+Uh	17	/RESEXT	2	USB_DATA+
3	GND	8	RxD_RS232	13	/GP_OUT	18	/BOOT	3	USB_DATA-
4	GND	9	TxD_RS232	14	GP_IN+	19	LOUDSP1	4	USB_VCC
5	GND	10	COM_EMIT	15	GP_IN-	20	LOUDSP2	5	n.c.

Touch Bezel Specifications

Material	Polymethmetacrylat (PMMA) Plexiglas	Scratch hardness Hr (acc. to Martens)	0,025N
Rockwell hardness (ASTM D 785-62)	M93 (Scale R)	Dielectric strength	30kV/mm
Chemical Resistance	Data upon request	Optical transmission factor (DIN 5036, @3mm, 380-780nm)	92%



A	B	C	D	E	F			K	L	M
250.0	188.4	15.8	9.6	19.5	4.0			2.0	7.0	10.3
G	G1	G2	G3	G4	H	H1	H2	H3	H4	H5
4.5	72.9	72.9	72.9	72.9	4.5	57.5	57.5	57.5	57.5	14.5

all dimensions in mm